

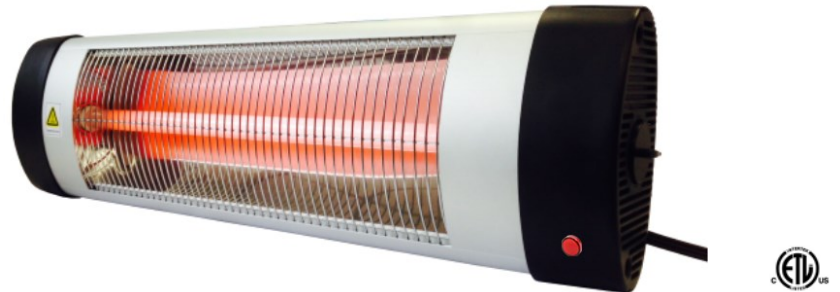
# INSTALLATION AND MAINTENANCE



## RSH1215 Infrared Quartz Radiant Heater



Figure 1-1



The RSH1215 Infrared Quartz Radiant heater contains an infrared quartz heating tube and formed reflector heating system that provides even heat distribution. It saves 30%-40% on electricity compared to a traditional heater, with up to 10,000 hour life span. The RSH1215 is commonly used for indoor or outdoor spot heating. Perfect for garages, outdoor patios, indoor pools or workshops.

## WARNING

**READ CAREFULLY** - These instructions will help prevent difficulties that might arise during thermostat installation. Studying the instructions first may save considerable time and money later. Observing the following procedures will reduce the risk of fire, electric shock, injury to persons and keep installation time to a minimum. Save these instructions for future use.

- WARNING** 1. Read all instructions before using this heater.
- WARNING** 2. Remove the unit from its packaging and check to make sure it is in good condition before using.
- WARNING** 3. Do not let children play with parts of the packaging (such as plastic bags.)
- WARNING** 4. Check the household voltage to ensure it matches the heater's rated specification.
- WARNING** 5. Check the power cord and plug carefully before use, to make sure that they are not damaged.
- WARNING** 6. Before unplugging the power cord, be sure to turn off the power. When energizing the unit, be sure your hands are dry to prevent from electric shock.
- WARNING** 7. Do not use near or point the heater at furniture, pillows, bedding, papers, clothes and curtains at least 3 feet (0.9m) from the front of the heater and keep them away from the sides and rear.
- WARNING** 8. Extreme caution is necessary when heater is used by, or near children or invalids, and whenever the heater is left operating unattended.
- WARNING** 9. Always unplug the heater when not in use.
- WARNING** 10. Do not use in places where gasoline, paint or other flammable liquids are used or stored.
- WARNING** 11. Do not operate any heater with a damaged cord, damaged plug, after the heater malfunctions or if it has been dropped or damaged in any manner. Return the heater to an authorized service facility for examination, electrical or mechanical adjustment or repair.
- WARNING** 12. Do not insert or allow foreign objects to enter any ventilation or exhaust openings, as this may cause an electric shock, fire or damage to the heater.
- WARNING** 13. This heater is hot when in use. To avoid burns, do not let bare skin touch hot surfaces.
- WARNING** 14. This heater is not intended for use in bathrooms, laundry areas and similar indoor locations. Never locate heater where it may fall into a bathtub or other water container.

# INSTALLATION CONTINUED



Figure 2-1



## WARNING

- WARNING** 15. Use this heater only as described in this manual. Any other uses not recommended by the manufacturer, as this may cause fire, electric shock or personal injury and my void warranty.
- WARNING** 16. Always plug heater directly in a wall outlet/receptacle. Never use with an extension cord or re-locatable power tap (outlet/power strip).
- WARNING** 17. Do not use heater in wet locations. Do not use outdoors.
- WARNING** 18. To disconnect heater, turn controls to OFF, then remove plug from outlet.
- WARNING** 19. Risk of fire, keep combustible materials, such as furniture, paper, clothes and curtains at least 3 feet (0.9m) from the front and sides when heater is plugged in.
- WARNING** 20. Never clean this heater while it is plugged in. Do not immerse in water. To disconnect, turn controls to OFF, then remove the plug from the outlet by grasping it and pulling it from outlet. Never remove from outlet by pulling cord.
- WARNING** 21. Do not run cord under carpeting. Do not cover cord with throw rugs, runners or similar coverings. Do not route cord under furniture or appliances. Arrange cord away from traffic areas and where it will not be tripped over.
- WARNING** 22. Connect to properly grounded outlets only.
- WARNING** 23. To prevent a possible fire, do not block air intakes or exhaust in any manner. Do not use on soft surfaces, like a bed, where openings may become blocked.

## PRODUCT INFORMATION

Reflective heating technology replicates the sun's healthy rays, directly warming the object or person in front of the heater. As the temperature of the heated surface rises, the warming effect is felt throughout the air and surrounding areas. Reflective heaters are great for open or large rooms, and actually save you energy by warming objects and not the entire room.

Reflective heating is both safe and healthy—it produces no odors, chemicals or fumes and doesn't stir up dust. Remarkably efficient, our heater uses less power to create the same amount of heat as traditional heaters.

## MOUNTING INSTRUCTIONS

### Tools Needed:

- Pencil
- Level
- Power Drill and Drill bits
- Hammer
- Screw Driver

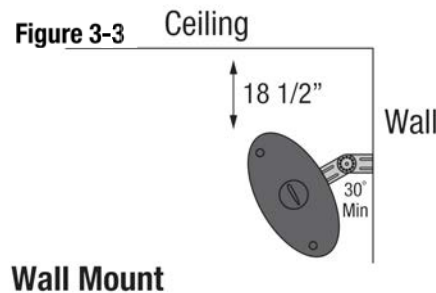
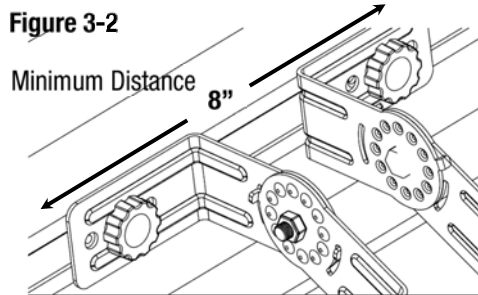
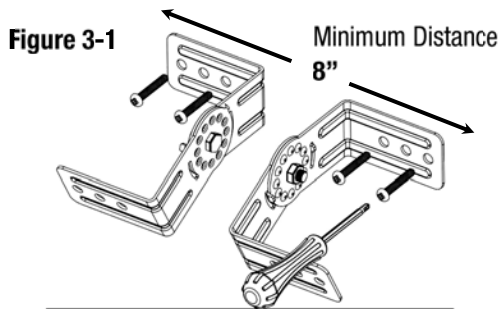
A wall mounting bracket is provided with the heater which has been specifically designed to allow this product to be fitted to a wall or ceiling. Before drilling the holes for the wall/ceiling plugs and screws, be sure that the wall/ceiling is solid and that there are no hidden water pipes or electrical wires. The heater must be installed no less than 16" from side walls and no less than 6' off the floor.

**Important:** Ensure that the supply cable is well mounted and that it does not come into contact with reflector of the heater or that it does not trail into heated area. The supply cable can be fixed to the metal mounting brackets behind heater with plastic zip ties.

# MOUNTING INSTRUCTIONS

## Wall Mount:

1. Mark holes on wall where heater is to be mounted with a pencil. Use a Level to make sure heater will be mounted straight.
2. Drill holes with a smaller diameter drill bit than the plastic anchors. If you are attaching heater to studs, plastic anchors are not needed.
3. Insert the point end of the plastic anchor into the dry wall. Tap the anchor with a hammer until the anchor is flush with the wall.
4. Using a screwdriver attach the mounting bracket to wall using screws provided. (see figure 3-1) The two brackets should be installed a minimum of 8" apart.
5. Attach heater to mounting bracket on the wall, using the tensioning knobs provided on the back of the unit. (see figure 3-2)



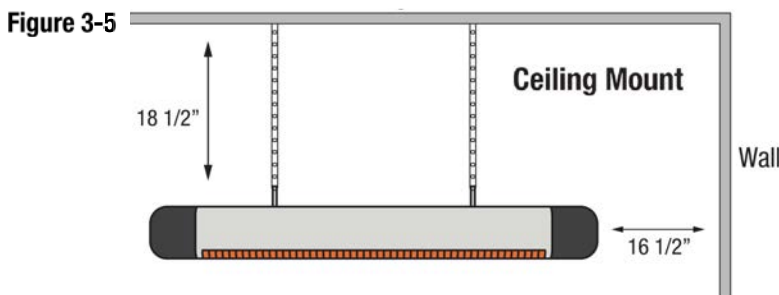
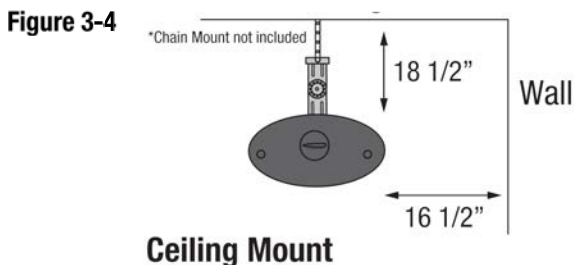
## Ceiling Mount:

Heater can also be hung in a horizontal position using chains or custom brackets. Heater must be level, but can be rotated around its horizontal axle.

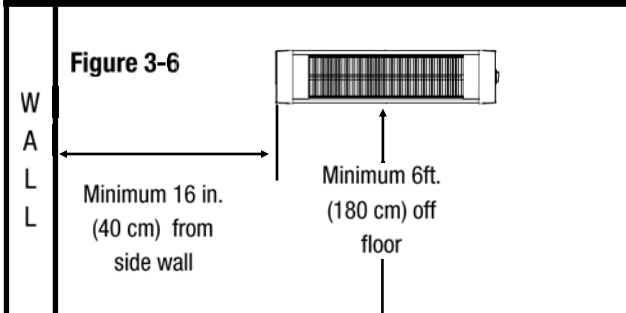
NOTE: DO NOT mount the heater on a vertical axis. Such installation will reduce the life of the element and will automatically void the product's warranty. Heater must be installed with the quartz tub horizontally level. For maximum tube life, use a level to find the optimum position for the heater's body. Always maintain the minimum clearances from the heater body to any combustible materials.

Chain suspension (Not included)

1. Heater must be installed with heater surface a minimum of 71" above the floor level and 16" away from the ceiling. If required, cut down length of chain to ensure correct installation height.
2. Attach chains to heater with "S" hooks. Crimp "S" hooks closed after assembly.
3. Prepare ceiling structure for heater. Attach chains to ceiling structure and suspend heater.
4. Plug power cord into a 120 volt grounded outlet. Secure power cord to chain with cable zip ties.

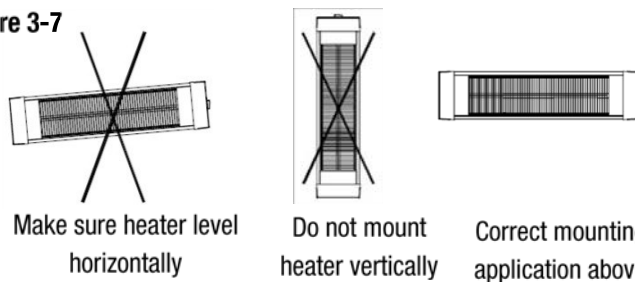


### MOUNT HEIGHT



### MOUNTING APPLICATIONS

Figure 3-7



# OPERATION



## RSH1215 Infrared Quartz Radiant Heater

DANGER

ELECTRIC SHOCK OR FIRE HAZARD

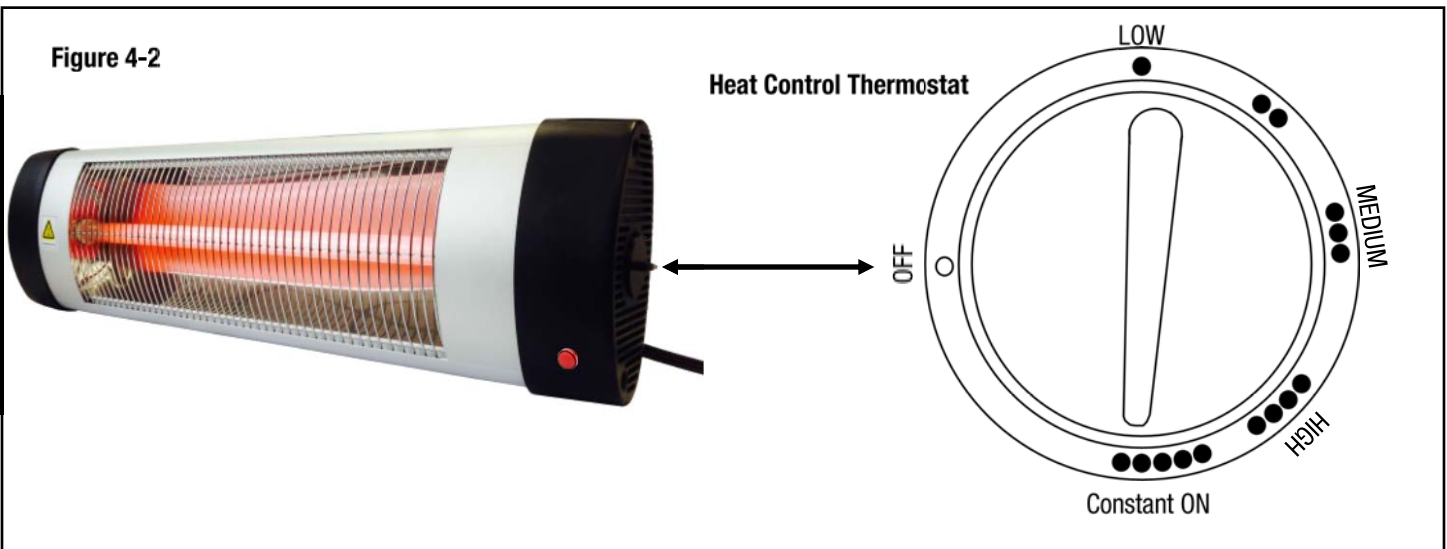
READ ALL WIRE SIZING, VOLTAGE REQUIREMENTS AND SAFETY DATA TO AVOID PROPERTY DAMAGE AND PERSONAL INJURY

Figure 4-1



## THERMOSTAT CONTROLS

Figure 4-2



### Operating Instructions

- Plug the power cord into a wall outlet (120 VAC 60 Hz).
- Turn the selector-control knob to desired heat setting. (OFF / LOW / MEDIUM / HIGH / Constant ON).

### Thermostat Instructions

- Before setting the thermostat, allow the heater to operate and warm up the room to desired temperature. Set thermostat to Constant ON to start.
- When the desired temperature/comfort level is reached, lower the thermostat setting until the heater stops operating.
- Turning the knob clockwise will increase the temperature setting. Counter clockwise will lower temperature setting.
- The control will now automatically maintain the pre-set temperature level by turning the heater ON and OFF.

### Caution:

When the appliance is not operated for a long period of time, cleaning or maintenance is conducted or when the location of the heater is changed, the heater should be turned to the OFF position and unplugged from the electrical connection.

# MAINTENANCE AND TROUBLESHOOTING



## RSH1215 Infrared Quartz Radiant Heater

Figure 5-1



	<b>DANGER</b>	
<b>ELECTRIC SHOCK OR FIRE HAZARD</b>		
<small>READ ALL WIRE SIZING, VOLTAGE REQUIREMENTS AND SAFETY DATA TO AVOID PROPERTY DAMAGE AND PERSONAL INJURY</small>		

### CLEANING AND MAINTENANCE

#### Cleaning:

Regular and careful cleaning helps your RSH1215 heater operate efficiently for many trouble free years. To clean your heater follow steps below:

1. Unplug the power cord for your safety before cleaning your appliance.
2. To keep the heater clean, the outer shell may be cleaned with a soft, damp cloth. You may use a mild detergent if necessary. After cleaning, dry the unit with a soft cloth. **(CAUTION: DO NOT let liquids enter the heater).**
3. DO NOT use alcohol, gasoline, abrasive powders, furniture polish or rough brushes to clean the heater. This may cause damage or deterioration to the surface of the heater.
4. DO NOT immerse the heater in water.
5. Wait until the heater is completely dry before use.

Storage: Store the heater in a cool, dry location when not in use to prevent dust and dirt build up. Use packaging carton to store.

#### Troubleshooting:

If the heater will not operate, please check the following before seeking repair of service:

1. Check if the power cord is plugged into an electrical outlet, if not, plug in.
2. Check if electricity to the main fuse is working.
3. Check to see if the thermostat knob is turned to the ON position.
4. Check the thermostat setting. The heater may be off because it has reached the desired temperature setting.